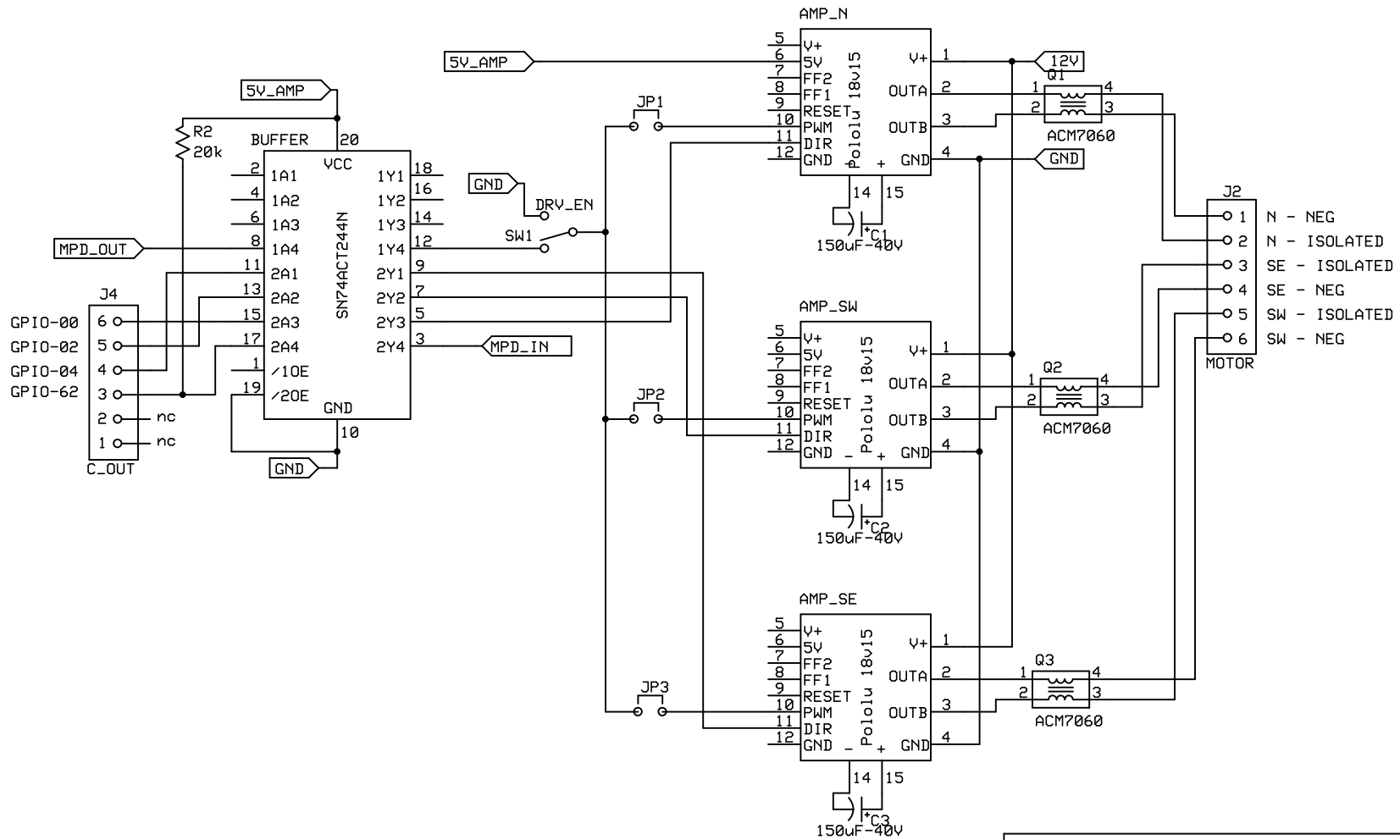
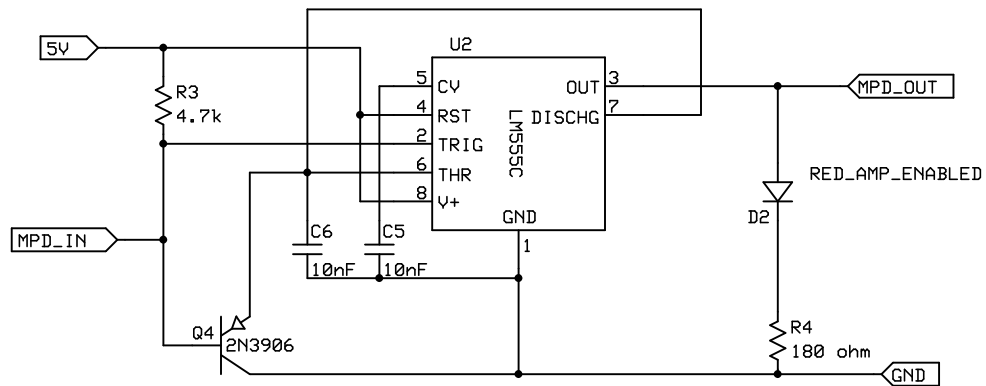


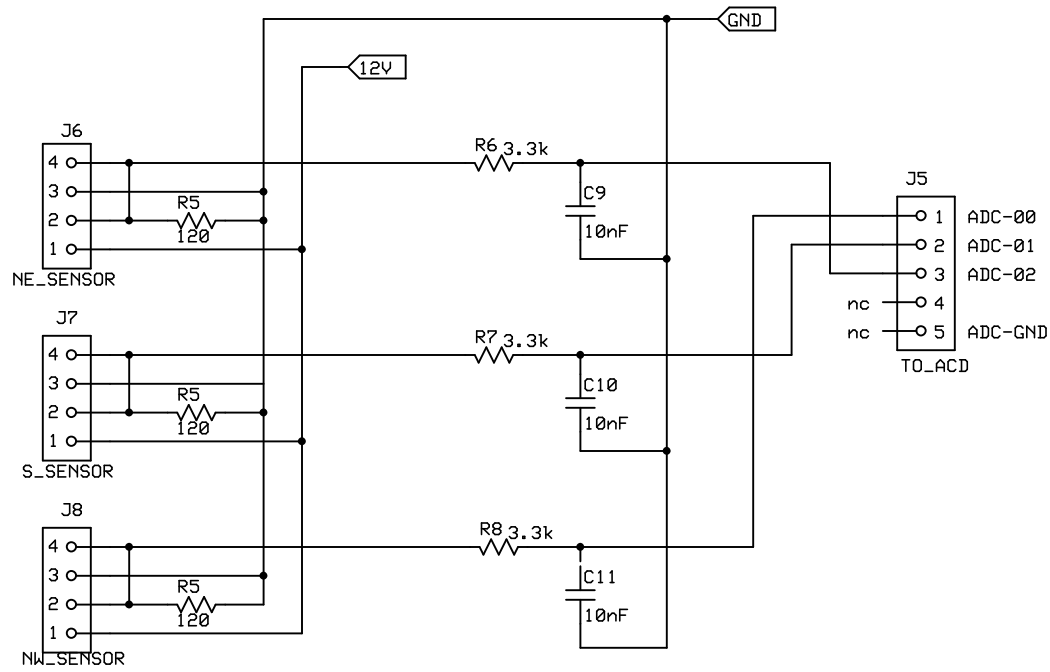
Norg Consulting		
Tripod Floater - Power		
Meindert Norg	Rev 2.2	1 : 5
	2/13/2010	



Norg Consulting		
Tripod Floater - Drivers		
Meindert Norg	Rev 2.2	2 : 5
	8/21/2009	



Norg Consulting		
Missing Pulse Detector		
Meindert Norg	Rev 2.2	3 : 5
	2/14/2010	



Norg Consulting

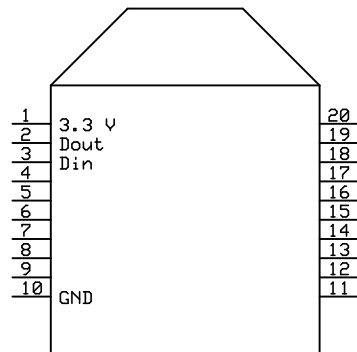
Tripod Floater - Sensors

Meindert Norg

Rev 2.2

2/14/2010

4 : 5



Use the same C2000 SCI for programming AND Zigbee
 For programming: place jumper J9 on docking station
 For Zigbee: remove jumper J9 from docking station
 Connect: Dout <-> GPIO-28
 Din <-> GPIO-29
 pin1 to 3.3 V on dockingstation
 pin10 to GND on dockingstation

Norg Consulting		
Tripod Floater - Zigbee		
Meindert norg	Rev 2.2	5 : 5
	2/14/2010	